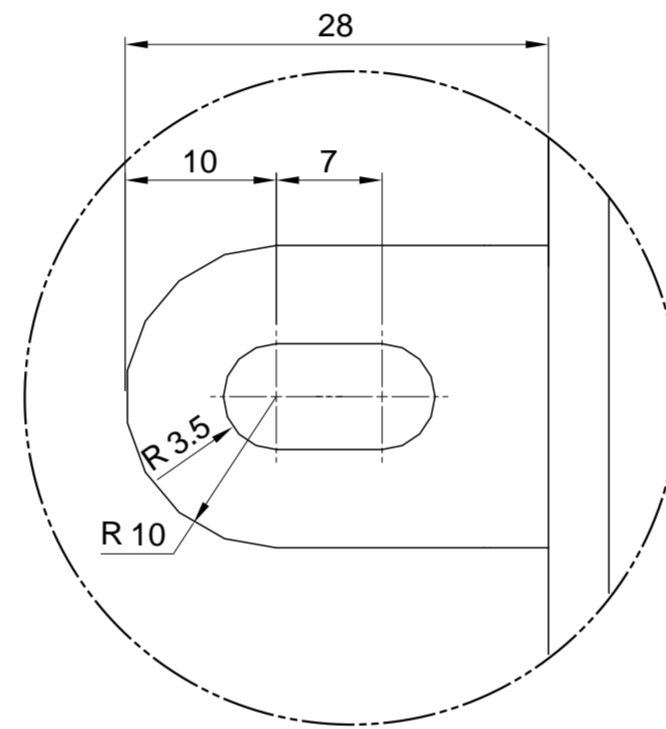
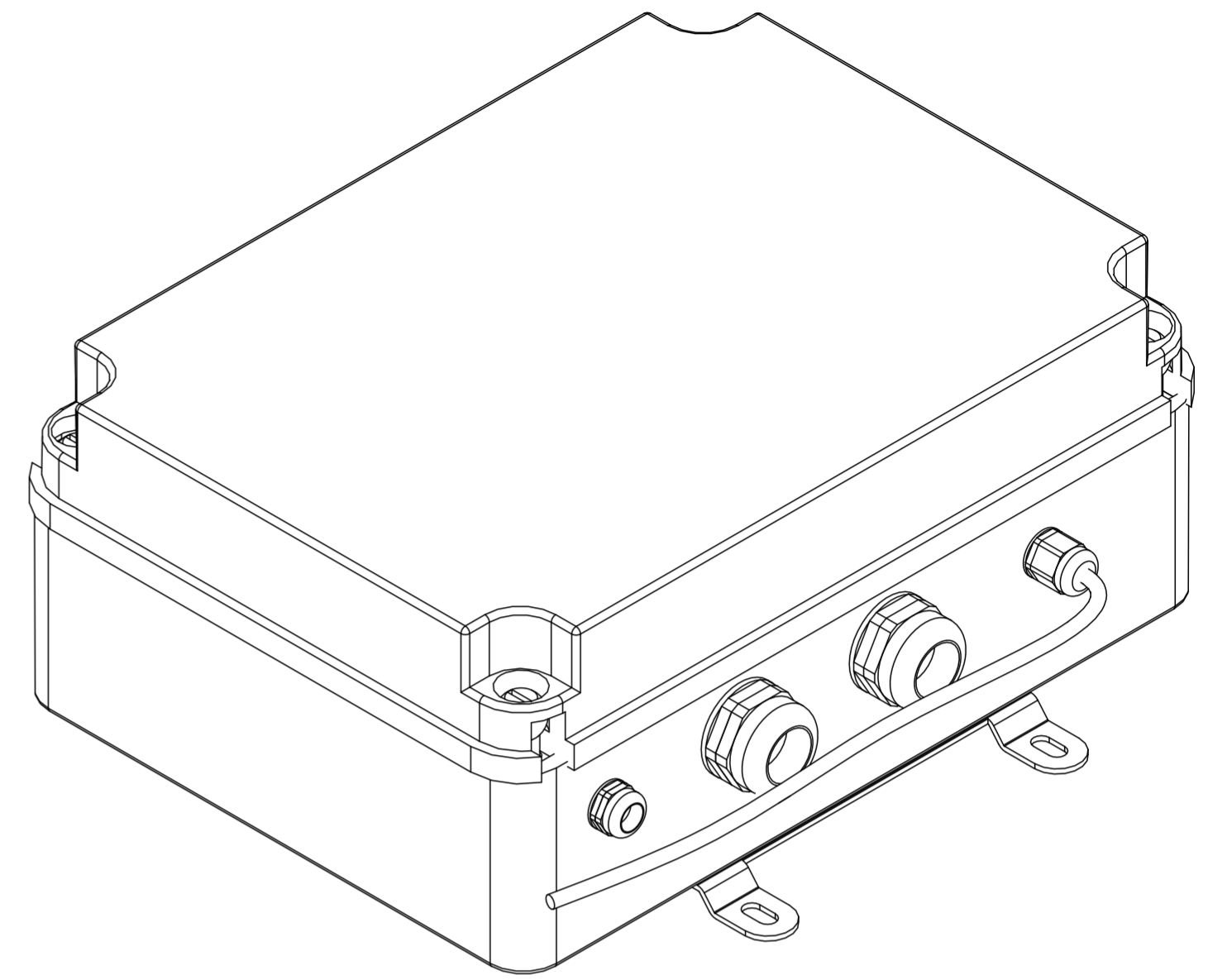


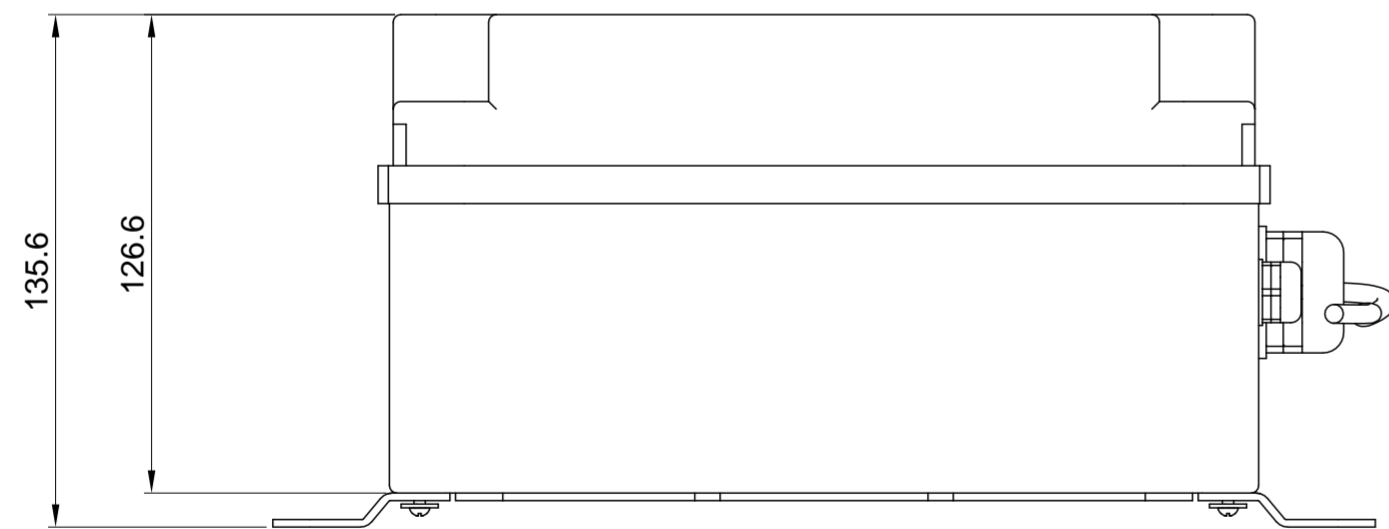
TOP



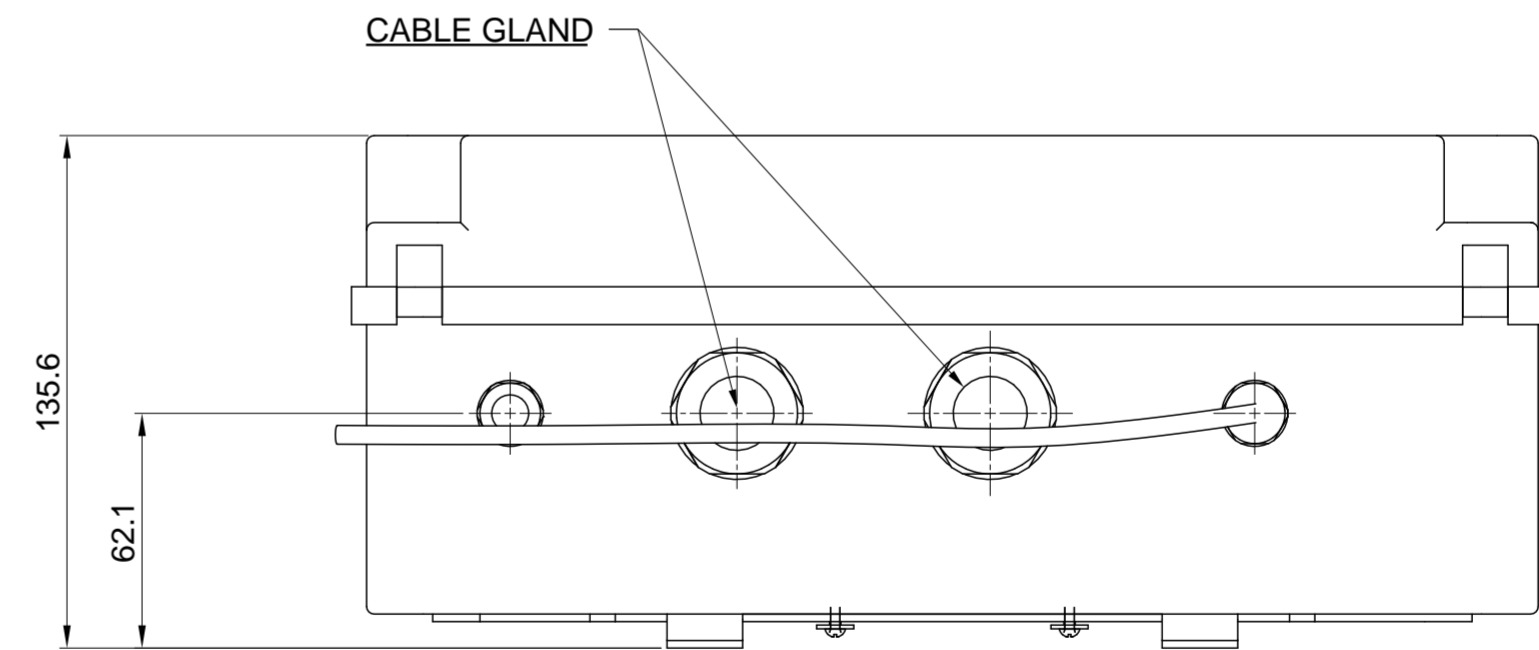
Detail Z



T.F.R



FRONT



RIGHT

	NAME	DATE	MATERIAL	QTY.	TITLE :-
DGN.	SPS	21.11.2006	ABS PLASTIC	1	COMBI RECEIVER
CHD.					
APPD.	KD	21.11.2006			
PROJ. :-			SCALE :-	NTS	DRG. NO.
SNT Controls Ltd. MUMBAI - 400 072.					FILE NAME :-D:\LIMIT SWITCH